

SL75

A HIGHER STAGING
STANDARD



STAGELINE® SL 75

COMPACT AND PROFESSIONAL



Courtesy of Outerstage

4,250 LB
(1,930 KG)
ROOF RIGGING CAPACITY
150 LB/FT²
(732 KG/M²)
FLOOR CAPACITY

With over 30 years in the staging industry, Stageline has earned the reputation as the leading designer and manufacturer of hydraulic mobile stages.

All our ideas, concepts and developments are user oriented and enable technicians, creative designers, artists and event organizers to carry out their work with total peace of mind.

IT ALL STARTS ON THE ROAD



Steel chassis with a powder coated silver paint.

Before its main usage as an outdoor stage, a mobile stage must perform as a road legal trailer.

Our advanced design combines a custom Stageline chassis with multiple hinged panels and telescoping structures that will not alter in performance from mileage and bad roads. It results in excellent road handling and safety year after year.

HEAVY DUTY HYDRAULIC ROOF LIFTING

1 Trailer levelled with hydraulic stabilizers (optional).



2 Trailer sides and floor panels equipped with gas springs.



3 Roof raised with hydraulic mast.



4 Install stairs, guardrails and add accessories.



SPECIFICATIONS

Floor 20' X 16'
(6.1 x 4.9 m)

Floor Panels 150 lb/ft²
(732 kg/m²)

Set-up* 2 x 

Wind resistance 115 MPH
(185 KM/H)

Roof Rigging 4,250 LB
(1,930 KG)

Sound Rigging 750 LB /side
(340 KG) /side

* Stagline promotes safe working habits by having a minimum of two workers on every job site.

FAST & EASY SET UP IN ONLY 30 MINUTES

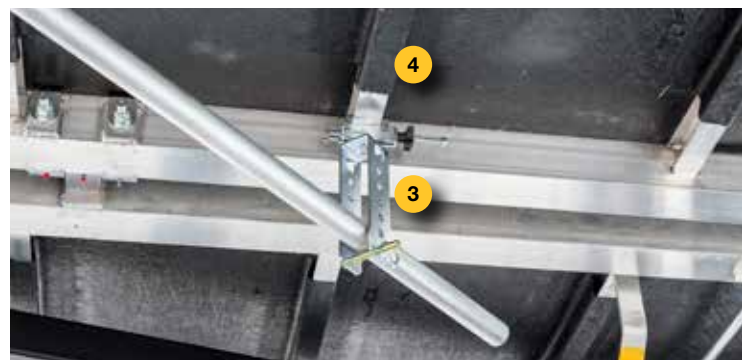
FEATURES



- 1 New easy access door and **integrated storage** system under floor panels.



- 2 Roof raised with a simple operation of the **12v remote** controlling the hydraulic lifting mast.



- 3 **RIGGING: 750 lb (340 kg) per side.** I-beam clamps designed to rig anywhere. Capacity 250 lbs per I-beam clamp.
- 4 Fiber glass roof panels moulded around roof structure remain safe & great looking year in and year out.

SAFE AT ALL TIMES RELIABLE IN ALL CONDITIONS



**HIGHEST WIND
RESISTANCE IN THE
INDUSTRY!**

115 MPH (185 KM/H)
WITHOUT WINDWALLS &
77 MPH (123 KM/H)
WITH WINDWALLS.

2015
INTERNATIONAL
BUILDING
CODE
IBC

THE SL75 IS ENGINEERED BASED ON THE IBC (INTERNATIONAL BUILDING CODE) AND NBC (NATIONAL BUILDING CODE) TO BE SAFELY DEPLOYED AND USED OUTDOORS.

MOTHER NATURE WILL NOT STEAL THE SHOW

The Stageline SL75 is a machine that withstands today's ever changing climatic conditions and demonstrates its unique capacities to resist high winds of up to 115 mph (185 km/h), to let water run off the roof and to protect gear, talent and crew.

**TOTALLY SELF STANDING
NO NEED FOR BALLAST AND CABLES**

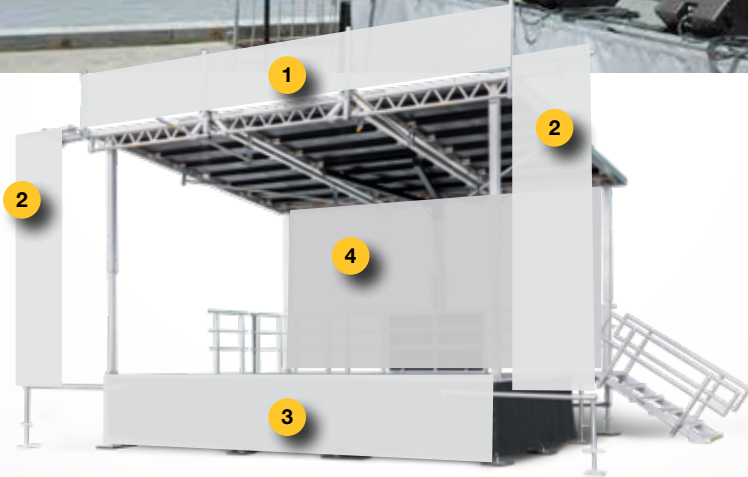
SUPERIOR DESIGN FOR LOADS & RIGGING

Designed to make production logistics easy. The stage sets rapidly with all the work done safely at deck and ground level.

CERTIFICATION MADE EASIER

The SL75 is backed with independent engineering certification for both structural design and rigging capacity saving you time and money. With a Stageline, strict on-site inspections become a mere formality.

SHOW YOUR COLORS FOR MAXIMUM VISIBILITY



THE SL75 OFFERS MAXIMUM BANNER SPACE TO SHOWCASE YOUR EVENT

- 1 Header banner 22' X 2' (6 m x 0.6 m)
- 2 2 Lateral banners 3' X 12' (1 m x 4 m)
- 3 Skirt 38' X 3' (11 m x 0.9 m)
- 4 Backdrop 19' X 9' (6 m x 3 m)

For exact dimensions, refer to Banner Book.

Banner hardware is designed to provide a nice fit and resist gust winds.

ON THE ROAD TRAILER WRAP ADVERTISING PANELS 17' X 7' (5 M X 2 M)

Smooth rivet-free panels with gel coat that improve graphic application and appearance.



WHY THE INDUSTRY CHOOSES STAGELINE

Most Widely used

Over 20,000 events per year in over 45 countries - an average of 55 events per day.

Exceptional durability and reliability

Built to last 20 years and more with proper care and maintenance.

Provider of safe staging environments for 30 years

Highest wind resistance in the industry - up to 115 mph (185 km/h) without windwalls and 77 mph (123 km/h) with windwalls.

Quality Control

All units are built and comprehensively tested in-house by trained and certified personnel.

Outstanding value

Low operation and maintenance cost.
High resale value on the market.

Certification and On site Inspection

Stageline provides complete engineering certification for both structural design and rigging capacity. In Canada and the US, we can provide certified documents for each state and province. This saves time and money. With a Stageline, strict on site inspection becomes a formality.

Environmentally responsible

All products are manufactured in Stageline's state of the art LEED® certified facility integrating the latest environmental technologies.

Award-winning

Our company and products have achieved high acclaim in the industry and have won several engineering and event industry awards.

WHAT OUR CLIENTS SAY

"I was looking for a well designed and built stage that would hold it's value well, I decided to buy a Stageline as it met my needs and is so versatile. The aluminium construction is not only light and good looking but it also copes well with the salty Atlantic air in Britain's 'Ocean City'. I can get it in to some very tight locations and Stageline have thought of everything to make the set up straightforward."

P. Barlow

Outerstage | United Kingdom

"We love our unit. Stageline has the best stages anywhere and everywhere we go the stage draws raves! From the purchase, and all the way to the delivery and training, they are first class in every aspect! We hope to add a SL100 in the future"

Rick Herold

Director Grand Prairie Parks & Recs

"Thank you for your efforts with the Township of Georgian Bay. I really enjoyed the process, and we are equally hopeful that our residents make great use of the easy to assemble, and super compact to store unit that we now own."

J. Schnier

Township of Georgian Bay



GROWING & BUILDING TOGETHER

Courtesy of Jonathan Stanners

Customer Support

We provide a complete 24/7 after sales support.

Parts & Accessories

The best way to ensure that your Stageline mobile stage retains its original condition is to purchase your parts and accessories directly from Stageline.

Inspection & Maintenance

Like any sophisticated piece of equipment, a Stageline mobile stage requires basic maintenance throughout the year. This maintenance must be performed according to specific guidelines.

With this in mind, Stageline's engineers and experienced technicians have developed a unique inspection program. This program will give you a complete analysis of your equipment's condition including a list of immediate repairs & recommendations.

Training

Driven by the need to ensure technical efficiency, Stageline developed a training and certification program which meets and even exceeds its clients' and users' requirements. Operation of a Stageline mobile stage by qualified personnel is directly linked with the enforceability of the warranty and is required to benefit from the technical support offered on all Stageline products.

With its training program, Stageline helps its users and clients increase profitability on their investment through an efficient utilization of the products.

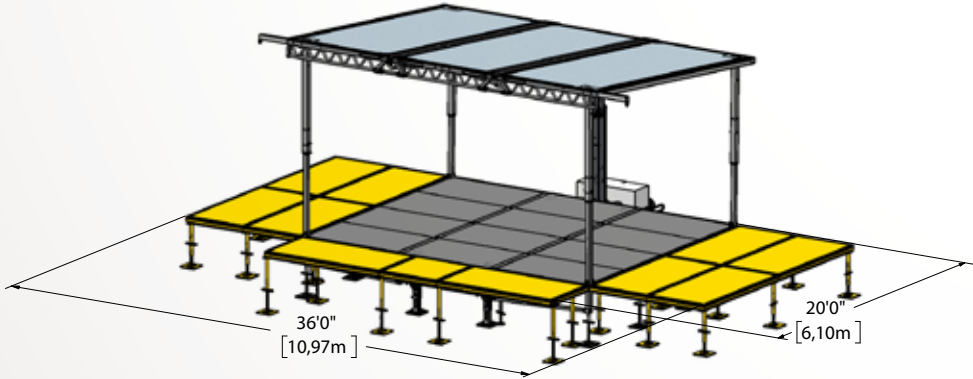
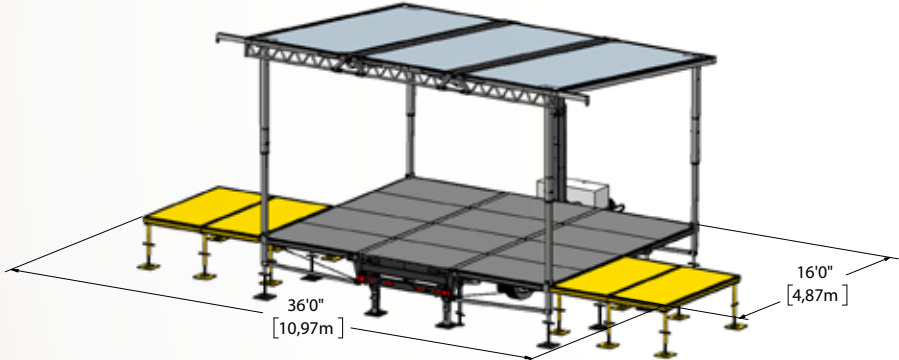
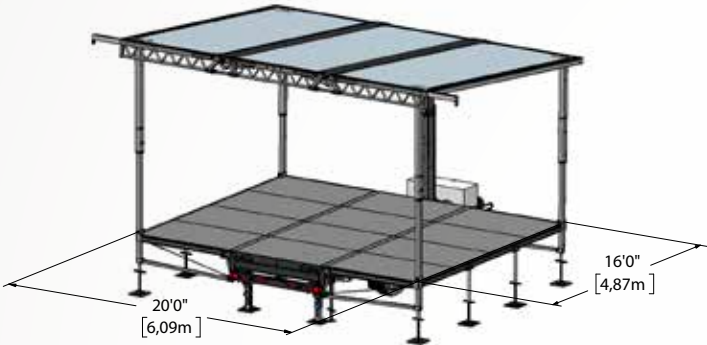
Our main objective is to develop the aptitudes and technical knowledge of the technicians in order to preserve the products' integrity and guarantee durability and maximum safety levels.

* Some limitations apply.



**WE ARE SO CONFIDENT IN THE QUALITY,
RELIABILITY AND DURABILITY OF OUR
STAGES THAT WE SUPPORT EVERY
MODEL WITH THE BEST WARRANTY
IN THE BUSINESS.**

SOME FLOOR CONFIGURATIONS TO SUIT YOUR NEEDS



SL75 TECHNICAL SPECIFICATIONS

TRAILER

Length	22' 8"	6.9 m
Width	8'6"	2.6 m
Height	10' 3"	3.1 m
Dry Weight	6,710 lb	3,050 kg
Maximum Weight	13,750 lb	6,237 kg

STAGE FLOOR

Length and Depth	20' x 16'	6.1 x 4.9 m
Height	3' 2"	1.0 m
Design Live Load	150 lb/ft ²	732 kg/m ²
Type of Surface	Plywood on aluminium	

ROOF

Length and Depth	21' 8" x 16' 10"	6.6 x 5.2 m
Clearance (Inclined roof)	11' to 9' 5"	3.4 to 2.9 m
Height (from ground)	15' 1"	4.6 m
Type of Surface	Fiberglass moulded around aluminum structure	
Roof Lifting Capacity	200 lb	91 kg
Roof Load Bearing Capacity	4,250 lb	1,930 kg
1 Truss - Downstage (T2)	500 lb	227 kg
2 Front Overhang Extensions*	125 lb at 24" each	57 kg at 0.6 m each
2 Side Overhang Rigging Bars	750 lb at 24" each	340 kg at 0.6 m each
40 Rigging points in the roof for i-beam clamps**	250 lbs each	113 kg each

PRACTICAL ASPECTS

Site Preparation	None
Heavy Machinery Required	None
Mode of Transportation	1 Pick-up truck or hauling vehicle
Gust Wind Resistance	115 mph (185 km/h) without windwalls 77 mph (123 km/h) with windwalls
Rigging Bars - Standard 2" (50 mm) Tubing	Provides higher overhead clearance
Backdrop *	Weatherproof - fire retardant vinyl or scrim
Vertical and Horizontal Banner Supports *	Installed at stage level
Backdrop banner installation pipe	Built in to install your backdrop at stage level

TOTAL ROOF LOAD BEARING CAPACITY

4,250 LBS
1,930 KG

Due to STAGELINE'S product improvement policy, technical specifications may change without notice.

* Optional

** See rigging plan for restrictions





INNOVATIVE MOBILE STAGING

827 L'Ange-Gardien Blvd., L'Assomption
Quebec, Canada J5W 1T3

T 1 450.589.1063
F 1 450.589.1711
North America 1 800.267.8243
stageline.com